



PRIMATA
Tecnologia Eletrônica

Technical Specifications

P46

Mini Current Transformer Clamp-type

Input: 200A

Outputs: 200mA / 200mV / 1V / 2V



Presentation

The **P46 – Mini CT – Input 200A – Outputs 200mA / 200mV / 1V / 2V** is a high performance and very low error clamp-type current transformer. Designed by **PRIMATA ELETRÔNICA** to serve all the meters, loggers and energy analyzers in the market with 200mA, 200mV, 1V or 2V input, we are a national reference in the manufacturing of the **clamp type** model.

The **mini current transformer P46** is weatherproof, robust and of modern design, and was developed to meet the following scales:

- ✓ Input 200A – Output 200mA AC;
- ✓ Input 200A – Output 200mV AC;
- ✓ Input 200A – Output 1V AC;
- ✓ Input 200A – Output 2V AC;

The cable can be supplied with length as required.



Applications

- ✓ Power quality measurement and monitoring;
- ✓ Analysis of industrial and residential loads;
- ✓ Waveform analysis;

Main Features

Operating voltage	600V AC
Operating temperature	-10 to 60 °C
Secondary	200mA / 200mV / 1V / 2V AC
Load impedance	For 200mA output: 1 to 10 Ω For voltage outputs: high impedance (Voltmeter)
Scales	200A / 200mA 200A / 200mV 200A / 1V 200A / 2V
Accuracy	± 0,6%
Frequency response (Hz)	30 to 5K Hz
Applied insulation voltage	4 kV (NBR 6856:2015)

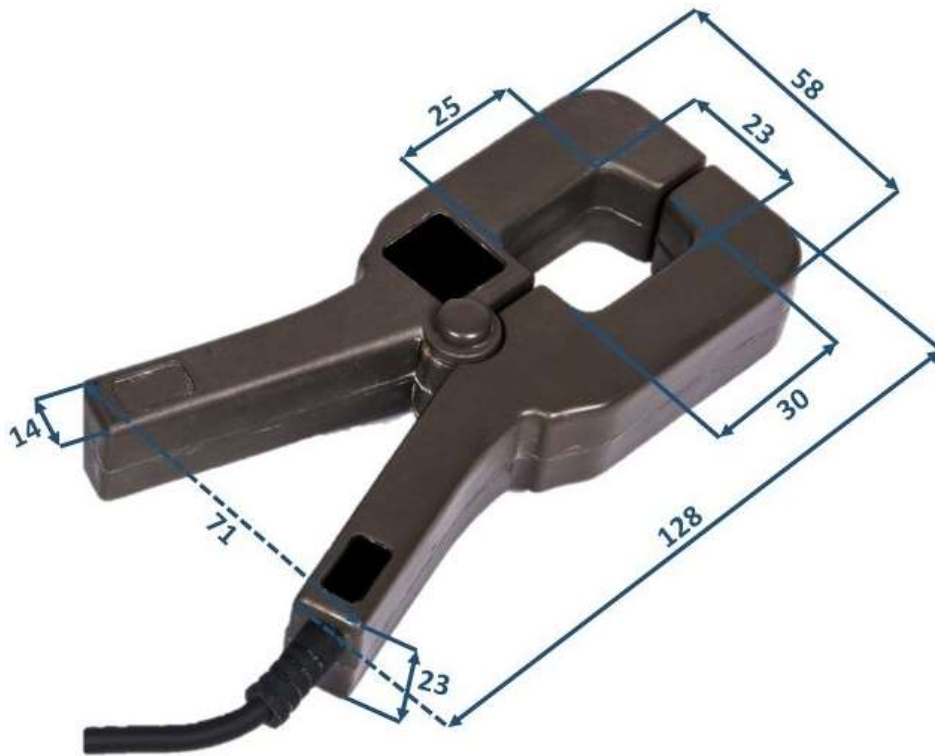
Scale	Applied Current	Phase Error (Degrees)
200A / 200mA 200A / 200mV	200A	< 2,5°
200A / 1V 200A / 2V	20A	< 3,0°

Mechanical Characteristics

Weight (with 2.0 m cable)	210 g
External dimensions	128 x 71 x 23 mm
Opening	34 mm
Internal window	30 x 23 mm
Protection against UV rays	Sim



Dimensions (mm)



How to Use

The source and load sides of the **current transformer P46** are identified by labels attached to it. The user must be aware of this detail during the installation of the CTs on the low voltage power supply, since incorrect installation will result in measurements with incongruent values.

When **PRIMATA ELETRÔNICA** supplies the current transformer with cable, the red wire is the signal.

Periodic Maintenance

The **current transformer P46** should be cleaned regularly when used under inclement weather, not letting the exposed part of the steel core oxidize, through the following procedure:

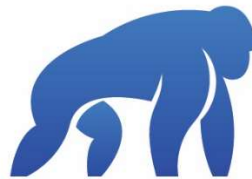
1. Apply an anti-rust product on the exposed part of the steel core, using a brush with hard bristles;
2. Remove the residues after a few seconds;
3. Apply solid technical Vaseline (paste) on the exposed part of the steel core;

Contact us:

Tel.: +55 (41) 3223-2176

Rua Visconde de Nácar, 288, Centro
Curitiba - PR - 80410-200

www.primataeletronica.com.br



PRIMATA
Tecnologia Eletrônica

PRIMATA ELETRÔNICA products are in constant improvement. Therefore, the technical specifications contained in this material may be changed without previous notice. Check our website for possible updates.

