

PRIMATA
Tecnologia Eletrônica

Technical Specifications

P44

Current Transformer Clamp-type

Inputs: 1500A / 1000A / 500A / 200A

Output: 1V



Presentation

The **P44 – CT – Inputs 1500A / 1000A / 500A / 200A – Output 1V** is a high performance and very low error clamp-type current transformer. Designed by **PRIMATA ELETRÔNICA** to serve all the meters, loggers and energy analyzers in the market with 1V input, we are a national reference in the manufacturing of the **clamp type** model.

The **current transformer P44** is weatherproof, robust and of modern design, and was developed to meet the following scales:

- ✓ Input 1500A – Output 1V AC;
- ✓ Input 1000A – Output 1V AC;
- ✓ Input 500A – Output 1V AC;
- ✓ Input 200A – Output 1V AC;

The cable can be supplied with length as required.



Applications

- ✓ Power quality measurement and monitoring;
- ✓ Analysis of industrial and residential loads;
- ✓ Waveform analysis;

Main Features

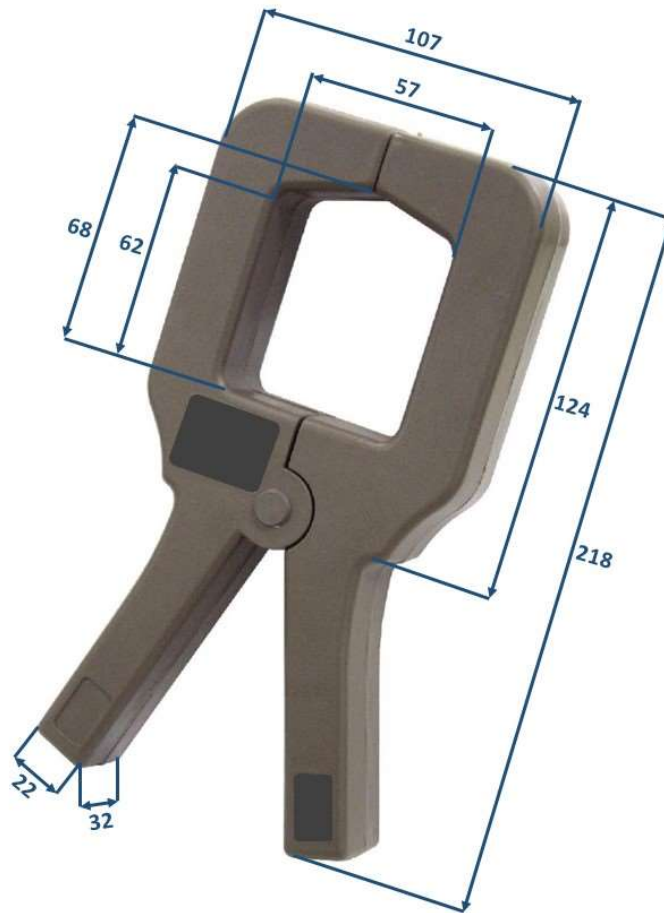
Operating voltage	600V AC
Operating temperature	-10 to 60 °C
Secondary	1V AC
Load impedance	1 Ω
Scales	1500A / 1V 1000A / 1V 500A / 1V 200A / 1V
Accuracy	± 0,6%
Frequency response (Hz)	30 to 5K Hz
Applied insulation voltage	4 kV (NBR 6856:2015)

Scale	Applied Current	Phase Error (Degrees)
1500A / 1V	1500A	< 1,0°
	150A	< 1,0°
1000A / 1V	1000A	< 1,0°
	100A	< 1,0°
500A / 1V	500A	< 1,0°
	50A	< 1,5°
200A / 1V	200A	< 2,5°
	20A	< 3,0°

Mechanical Characteristics

Weight (with 2.0 m cable)	700 g
External dimensions	218 x 107 x 32 mm
Opening	65 mm
Internal window	68 x 57 mm
Protection against UV rays	Yes

Dimensions (mm)



How to Use

The source and load sides of the **current transformer P44** are identified by labels attached to it. The user must be aware of this detail during the installation of the CTs on the low voltage power supply, since incorrect installation will result in measurements with incongruent values.

When **PRIMATA ELETRÔNICA** supplies the current transformer with cable, the red wire is the signal.

Periodic Maintenance

The **current transformer P44** should be cleaned regularly when used under inclement weather, not letting the exposed part of the steel core oxidize, through the following procedure:

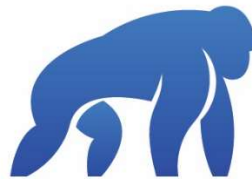
1. Apply an anti-rust product on the exposed part of the steel core, using a brush with hard bristles;
2. Remove the residues after a few seconds;
3. Apply solid technical Vaseline (paste) on the exposed part of the steel core;

Contact us:

Tel.: +55 (41) 3223-2176

Rua Visconde de Nácar, 288, Centro
Curitiba - PR - 80410-200

www.primataeletronica.com.br



PRIMATA
Tecnologia Eletrônica

PRIMATA ELETRÔNICA products are in constant improvement. Therefore, the technical specifications contained in this material may be changed without previous notice. Check our website for possible updates.

