

PRIMATA
Tecnologia Eletrônica

Technical Specifications

P43

Current Transformer Clamp-type

Inputs: 1500A / 1000A / 500A / 200A

Output: 5A



PRIMATA
Tecnologia Eletrônica

www.primataeletronica.com.br
comercial@primataeletronica.com.br

Rev. 2023-01
Page 1 of 5

Presentation

The **P43 – CT – Inputs 1500A / 1000A / 500A / 200A – Output 5A** is a high performance and very low error clamp-type current transformer. Designed by **PRIMATA ELETRÔNICA** to serve all the meters, loggers and energy analyzers in the market with 5A input, we are a national reference in the manufacturing of the **clamp type** model.

The **current transformer P43** is weatherproof, robust and of modern design, and was developed to meet the following scales:

- ✓ Input 1500A – Output 5A AC;
- ✓ Input 1000A – Output 5A AC;
- ✓ Input 500A – Output 5A AC;
- ✓ Input 200A – Output 5A AC;

The cable can be supplied with length as required.



Applications

- ✓ Power quality measurement and monitoring;
- ✓ Analysis of industrial and residential loads;
- ✓ Waveform analysis;

Main Features

| | |
|----------------------------|----------------------------------------------------|
| Operating voltage | 600V AC |
| Operating temperature | -10 to 60 °C |
| Secondary | 5A AC |
| Load impedance | 0,1 Ω |
| Scales | 1500A / 5A 1000A / 5A 500A / 5A 200A / 5A |
| Accuracy | ± 0,6% |
| Frequency response (Hz) | 30 to 5K Hz |
| Applied insulation voltage | 4 kV (NBR 6856:2015) |

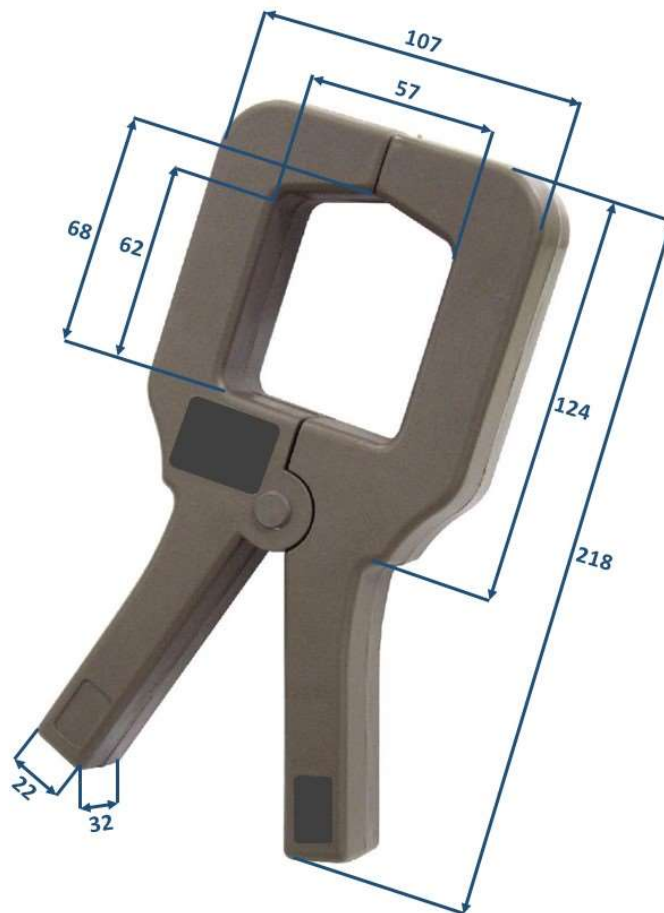
| Scale | Applied Current | Phase Error (Degrees) |
|------------|-----------------|-----------------------|
| 1500A / 5A | 1500A | < 1,0° |
| | 150A | < 1,0° |
| 1000A / 5A | 1000A | < 1,0° |
| | 100A | < 1,0° |
| 500A / 5A | 500A | < 1,0° |
| | 50A | < 1,5° |
| 200A / 5A | 200A | < 2,5° |
| | 20A | < 3,0° |

Mechanical Characteristics

| | |
|----------------------------|-------------------|
| Weight (with 2.0 m cable) | 700 g |
| External dimensions | 218 x 107 x 32 mm |
| Opening | 65 mm |
| Internal window | 68 x 57 mm |
| Protection against UV rays | Yes |



Dimensions (mm)



How to Use

The source and load sides of the **current transformer P43** are identified by labels attached to it. The user must be aware of this detail during the installation of the CTs on the low voltage power supply, since incorrect installation will result in measurements with incongruent values.

When **PRIMATA ELETRÔNICA** supplies the current transformer with cable, the red wire is the signal.

Periodic Maintenance

The **current transformer P43** should be cleaned regularly when used under inclement weather, not letting the exposed part of the steel core oxidize, through the following procedure:

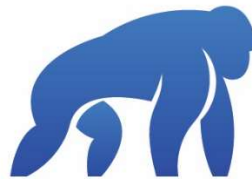
1. Apply an anti-rust product on the exposed part of the steel core, using a brush with hard bristles;
2. Remove the residues after a few seconds;
3. Apply solid technical Vaseline (paste) on the exposed part of the steel core;

Contact us:

Tel.: +55 (41) 3223-2176

Rua Visconde de Nácar, 288, Centro
Curitiba - PR - 80410-200

www.primataeletronica.com.br



PRIMATA
Tecnologia Eletrônica

PRIMATA ELETRÔNICA products are in constant improvement. Therefore, the technical specifications contained in this material may be changed without previous notice. Check our website for possible updates.

